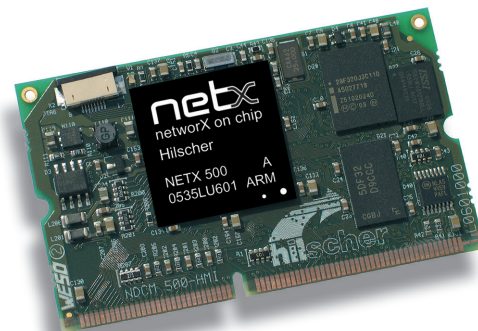


netDIMM

Finished netX Design in standardized DIMM-PC format

- Target platform for own netX based applications
- With netX technology for all Fieldbus and Real-Time Ethernet systems usable
- Comprehensive accessories like licensed protocol stack modules and Board Support Packages available
- Compact dimensions according DIMM 144 pin standard
- Read-to-use solutions with visualization or control as development service



Complete netX Design for own applications as expansion module

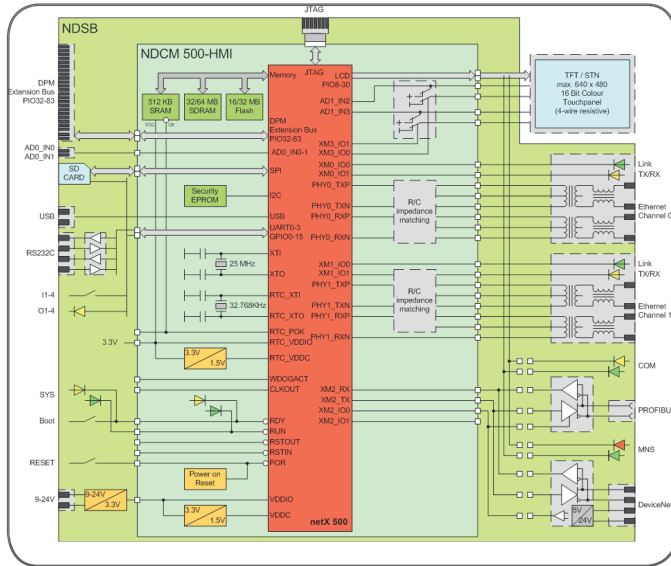
netDIMM is a plug-in module in the well-known 144 pin DIMM-PC format and the simplest solutions to expand automation devices with network technology and own netX based applications.

The netDIMM platform is a complete netX controller design and contains all necessary operating components such as memory, oscillator, reset generator and voltage converter. The communication signals, the peripheral bus, USB, LCD and LED signals are provided on the DIMM interface. The corresponding electrical connections have to be applied and interconnected on the base board.

netDIMM is available in the variants -NET and -HMI. The NET variant has its focus on applications needing communication. It provides the corresponding Fieldbus/Ethernet signals to the base board. The HMI type is designed for the visualization market and delivers additional LCD- and touch controller signals. Thus it is possible to build a Windows-CE or Linux based terminal with soft-keys, SD/MMC-card and USB interface with minimum effort. All other applications are developed under the real-time operating system rcX where licensed protocol stacks modules can be acquired on demand for own integrations.

For a quick evaluation and development a starter board is available that provides all physical communication interfaces to the user. Next to the slot for the netDIMM module connectors for Ethernet, PROFIBUS, DeviceNet as well as RS232C, USB and JTAG are assembled and provided. Hardware extensions can be adapted via the extension bus that is made accessible via pin strips. For the HMI type a TFT display and a SD/MMC Card slot is assembled additionally.

Technical Data / Product Overview



The block diagram shows the netDIMM 500 module together with the starter-board.

netDIMM - Getting started

netDIMM is a platform for own netx based applications and will come without any software or protocol stack. Depending on the application customers can acquire a wide range of licensed Protocol Stacks for netX as linkable object module as well as several Board Support Packages.

Together with the netDIMM starter board and an appropriate development environment, customers can easily create their netX application, without any netX specific hardware design.

netDIMM & Starter-Board

Parameter	Value
Processor	netX 500 mit 200 MHz ARM 926EJ-S
Memory	16/32 MB Flash, 32/64 MB SDRAM
	512 KB SRAM, buffered externally
LCD Controller	640x480, 16-Bit Color TFT/STN, Touch
Interfaces	USB 1.1, SPI, 3x UART or 16x GPIO, JTAG,
AD Converter	2 Channels, 10-Bit, 1MS/s, S&H
2 Ethernet-Ports	10BASE-T/100BASE-TX, integrated PHYs, IEEE 1588
	EtherCAT with 3 FMMUs and 4 SyncManager
	EtherNet/IP
	Powerlink, integrated Hub, Response Delay max. 1µs
	PROFINET, integrated Switch
Fieldbus Controller	CANopen, DeviceNet, PROFIBUS
Extension	Dual-Port Memory, Extension Bus or 52x IO
Dimensions	67,6 x 40 mm, DIMM Module Standard
Power Consumption	600 mA @ 3.3 V

Optional Accessories

Parameter	Value
NXL0M-DPM /-DPS	PROFIBUS-DP Master or Slave
NXL0M-DNM /-DNS	DeviceNet Master or Slave
NXL0M-COM /-COS	CANopen Master or Slave
NXL0M-CCS	CC-Link Slave
NXL0M-MPI	PROFIBUS-DP MPI
NXL0M-ECM /-ECS	EtherCAT Master or Slave
NXL0M-EIM /-EIS	EtherNet/IP Scanner or Adapter
NXL0M-OMB	OpenModbus Client/Server
NXL0M-PLS	Powerlink Controlled Node
NXL0M-PNM /-PNS	PROFINET I/O Controller or Device
NXL0M-S3M /-S3S	Sercos Master or Slave
NXL0M-VRS	VARAN Client

Note: To acquire netX protocol stacks a corresponding license agreement is needed.

Technical Data

Linkable Object Module

Overview

Description	Number	Article
NDCM 100-NET4D8	1820.340	netDIMM CPU Module NET
NDCM 500-HMI16D32	1811.560	netDIMM CPU Module HMI
NDSB-HMI	5800.100	netDIMM Starter Board HMI
NDSB-NET	5800.000	netDIMM Starter Board Network

Description	Number	Article
NXBSP 500-WINCE	7410.101	Board Support Package Win-CE
NXBSP 500-LINUX	7411.101	Board Support Package LINUX
NXPBS 500-VXWORKS	7413.101	Board Support Package VxWorks
NXBSP-RCX	7412.101	Board Support Package rcX

Note: All technical data can be altered without notice.

Headquarters

Germany
Hilscher Gesellschaft für Systemautomation mbH
Rheinstrasse 15
65795 Hattersheim
Phone: +49 (0) 6190 9907-0
Fax: +49 (0) 6190 9907-50
E-Mail: info@hilscher.com
Web: www.hilscher.com

Distributors

More information at www.hilscher.com

Subsidiaries

China
Hilscher Systemautomation (Shanghai) Co. Ltd.
200010 Shanghai
Phone: +86 (0) 21-6355-5161
E-Mail: info@hilscher.cn

France
Hilscher France S.a.r.l.
69500 Bron
Phone: +33 (0) 4 72 37 98 40
E-Mail: info@hilscher.fr

India
Hilscher India Pvt. Ltd.
Pune, Delhi, Mumbai
Phone: +91- 8888 750 777
E-Mail: info@hilscher.in

Italy
Hilscher Italia S.r.l.
20090 Vimodrone (MI)
Phone: +39 02 25007068
E-Mail: info@hilscher.it

Japan
Hilscher Japan KK
Tokyo, 160-0022
Phone: +81 (0) 3-5362-0521
E-Mail: info@hilscher.jp

Korea
Hilscher Korea Inc.
Seongnam, Gyeonggi, 463-400
Phone: +82 (0) 31-789-3715
E-Mail: info@hilscher.kr

Switzerland
Hilscher Swiss GmbH
4500 Solothurn
Phone: +41 (0) 32 623 6633
E-Mail: info@hilscher.ch

USA
Hilscher North America, Inc.
Lisle, IL 60532
Phone: +1 630-505-5301
E-Mail: info@hilscher.us