

User manual

CIFX M223090AE-DP\F

PC card PCI Express M.2 2230 A-E PROFIBUS DP Slave



Hilscher Gesellschaft für Systemautomation mbH
www.hilscher.com

DOC200301UM04EN | Revision 4 | English | 2022-02 | Released | Public

Table of contents

1	Introduction	4
1.1	About the user manual	4
1.2	List of revisions	4
2	Devices and accessories	5
2.1	Basic card CIFX M223090AE	6
2.2	Detached network interface AIFX-V2-DP	7
2.3	Product software	8
2.4	Revision or version status of hardware and software	8
2.5	Device label with matrix code	9
3	Safety	10
3.1	General note	10
3.2	Intended use	10
3.3	Personnel qualification	10
3.4	Safety messages	11
3.4.1	Hazardous voltage, electric shock	11
3.4.2	Personal injury, device damage due to hot swap/hot plug	11
3.5	Property damage	12
3.5.1	Excessive supply voltage	12
3.5.2	Excessive signaling voltage	12
3.5.3	Electrostatic sensitive devices	12
3.5.4	Power drop during write and delete accesses in the file system	13
3.5.5	Exceeding the maximum number of permitted write and delete accesses	13
3.6	Information and data security	13
3.7	Warnings	14
4	Installing the hardware	15
4.1	System Requirements	15
4.2	Requirements for operation	17
4.3	Overview installation and firmware download	18
4.4	Installing the hardware	19
4.5	Loading firmware and configuration in the device or making an update	20
4.6	Hints for problem solving	21
4.7	Uninstalling the hardware	22
4.8	Disposal of waste electronic equipment	22
5	Diagnosis with LEDs	23
5.1	Overview	23
5.2	System LED	23
5.3	PROFIBUS DP Slave	24
6	Connectors	25
6.1	PROFIBUS interface	25
6.2	Cabel connector fieldbus X802, on CIFX M223090AE	26

6.3	Cable connector fieldbus X103, AIFX-V2-DP	26
6.4	PCI Express M.2 bus	27
7	Technical data	29
7.1	PC card CIFX M223090AE-DP\F	29
7.2	PCI identifiers on the PCI Express M.2 bus	30
7.3	AIFX-V2-DP	31
7.4	Communication protocols.....	32
7.4.1	PROFIBUS DP Slave.....	32
8	Dimensions.....	33
8.1	Tolerances of PCB dimensions.....	33
8.2	Dimensions CIFX M223090AE	34
8.3	Dimensions AIFX-V2-DP.....	35
9	Appendix.....	36
9.1	FCC compliance.....	36
9.2	References.....	36
9.3	Conventions in this manual	38
9.4	Legal notes.....	39
9.5	Registered trademarks	43
	Glossary.....	46
	Contacts.....	47

1 Introduction

1.1 About the user manual

This user manual for your PC card CIFX M223090AE-DP\F PROFIBUS DP provides information on the following topics:

- Hardware description,
- installation of the hardware and
- firmware download.

Further information on how to download the firmware, as well as descriptions about configuration and diagnosis of your device can be found in separate operating instruction manuals.

1.2 List of revisions

Index	Date	Changes
1	20-12-07	Document created.
2	21-02-25	Sections <i>Cabel connector fieldbus X802, on CIFX M223090AE</i> [▶ page 26] and <i>Cable connector fieldbus X103, to AIFX</i> added. Device Explorer details updated (with configuration download). Section <i>Dimensions AIFX-V2-DP</i> [▶ page 35], Thickness of the printed circuit board = 1.6 mm.
3	21-05-28	Section <i>Basic card CIFX M223090AE</i> [▶ page 6] and section <i>Detached network interface AIFX-V2-DP</i> [▶ page 7] matrix label added. Section <i>System Requirements</i> [▶ page 15] Note added (to ASIX Ax99100 RCB 128Bytes). Section <i>Hints for problem solving</i> [▶ page 21] updated. Section <i>Cabel connector fieldbus X802, on CIFX M223090AE</i> [▶ page 26] revised, section <i>Cable connector Ethernet X103, on AIFX-V2-RE</i> removed. Section AIFX-DP dimensions (hight) corrected. Section <i>Dimensions CIFX M223090AE</i> [▶ page 34], details of max. component height on the upper side specified.
4	22-02-22	Section <i>Revision or version status of hardware and software</i> [▶ page 8]: Basic card CIFX M223090AE revision 4. Section <i>System Requirements</i> [▶ page 15] note on communication via PCI-Express added. Section <i>Cable connector fieldbus X103, AIFX-V2-DP</i> [▶ page 26] added. Section <i>PC card CIFX M223090AE-DP\F</i> [▶ page 29] and AIFX-DP: UKCA added.

Table 1: List of revisions

2 Devices and accessories

The PC card CIFX M223090AE-DP\F is a communication interface from Hilscher based on the communication controller netX 90 and consists of a basic card that is equipped with a detached network interface.

PC card	Description of the basic card	Accessories
CIFX M223090AE-DP\F	Communication Interface M.2 2230 Key A+E: CIFX M223090AE Type (according to the PCI Express M.2 specification): 2230 (=22x30 mm), Keys: A and E PCI Express slot (3.3 V), for M.2 type 2230-D3, Dual Key A-E (Socket 1 Connectivity)	Detached network interface PROFIBUS: AIFX-V2-DP

Table 2: PC card CIFX M223090AE-DP\F

Product family	Card format and size	netX	Key	Network	Cable
CIFX	M 2230	90	AE	-DP	\F

Table 3: Meaning of the device name

The use refers exclusively to Slave systems. With the loaded PROFIBUS DP slavefirmware, the PC card cifX executes the PROFIBUS DP Slave communication. Data is exchanged between the connected devices and the PC or connection device via the Dual-Port Memory.

2.1 Basic card CIFX M223090AE

In the following illustration with legend you can recognize the device elements significant for installation and operation each by a number.

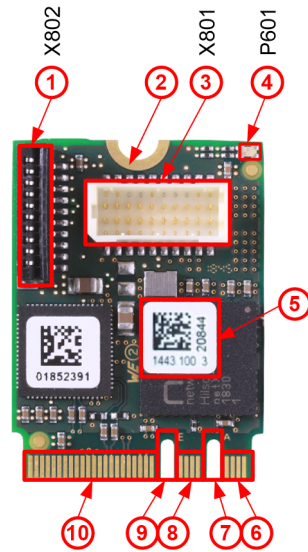


Figure 1: Basic card CIFX M223090AE (revision 3)

No.	Description
(1)	Cable connector fieldbus (X802, 10 pin)
(2)	Hole (with ground contact) for mounting the PC card
(3)	Cable connector Ethernet (X801, 20 pin)
(4)	System LED (yellow/green)
(5)	Matrix label
(6)	PCI Express M.2 bus, pin 1 to pin 7
(7)	PCI Express M.2 bus, pin 8 to pin 15 (key A)
(8)	PCI Express M.2 bus, pin 16 to pin 23
(9)	PCI Express M.2 bus, pin 24 to pin 31 (key E)
(10)	PCI Express M.2 bus, pin 32 to pin 75

Table 4: Legend on the basic card CIFX M223090AE

2.2 Detached network interface AIFX-V2-DP

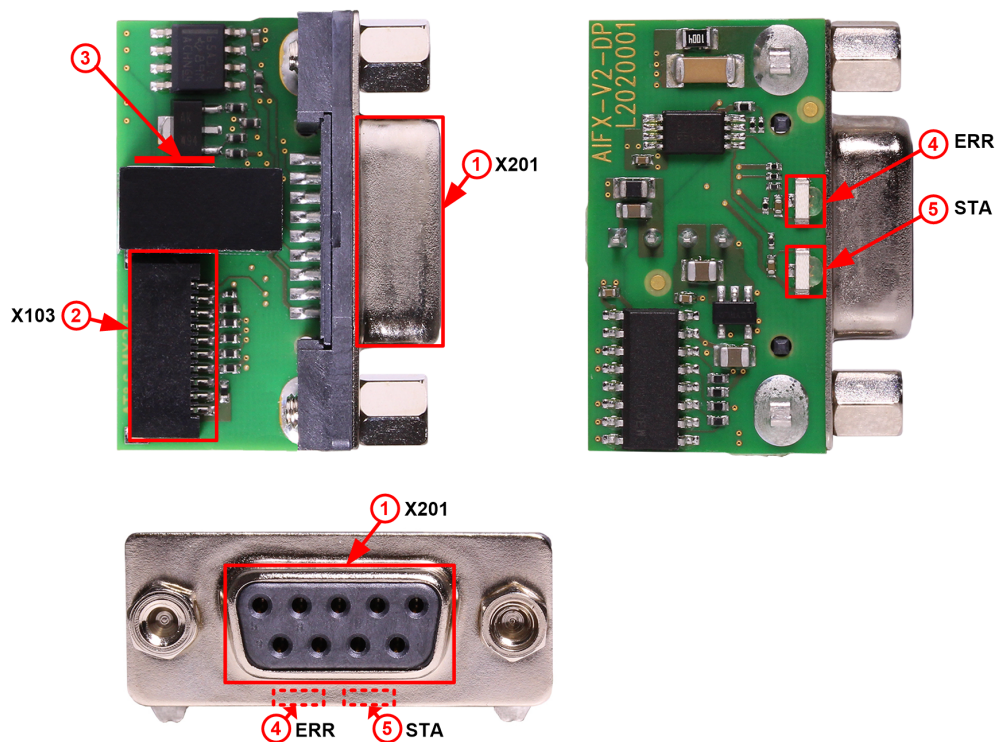


Figure 2: Detached network interface AIFX-V2-DP (Revision 2)

No.	Description
(1)	PROFIBUS interface, DSub socket (X201)
(2)	Cable connector fieldbus (X103, 10-pin)
(3)	Mini matrix label (on the side of T100)
(4)	ERR : Communication status LED (red)
(5)	STA : Communication status LED (green)

Table 5: Legend for the detached network interface AIFX-V2-DP



Important:

Note that the detached network interface PROFIBUS AIFX-V2-DP especially is designed for netX 90-based devices and exclusively works together with them. In contrast, the detached network interface Ethernet AIFX-DP is only suitable for netX 100-based devices.

2.3 Product software

All the information and software you need for your product can be downloaded free of charge at the web-link

<https://kb.hilscher.com/display/CARDS/>.

- Select the link for the current release for the Communication Solution netX 90/4000 DVD.

After the download, you can start commissioning and configuring your device immediately.

- Check our website regularly for software updates for your product.

2.4 Revision or version status of hardware and software

The hardware revisions listed below, as well as the driver, software and firmware versions belong together functionally. If a hardware installation is available, the driver and the firmware must be updated according to these specifications.

Device name	Description	Part no.	Hardware revision
CIFX M223090AE-DP\F	Basic board CIFX M223090AE and AIFX-V2-DP	1443.401	-
CIFX M223090AE	Communication Interface M.2 2230 Key A+E (basic card)	1443.100	4
AIFX-V2-DP	Detached network interface PROFIBUS	2801.400	2

Table 6: Hardware revisions

Driver and software	Name	Version
Device driver	cifX Device Driver	2.3 or higher
Software to download the firmware	Device Explorer	1.3
Configuration software	Communication Studio	1.0

Table 7: Driver and software versions

Protocol	File name	Firmware version
PROFIBUS DP Slave	X0902001.nxi	V5.1

Table 8: Firmware version and file names for permitted protocols



Note:

Unless otherwise stated, the firmware version in this manual is the same as the stack version.

2.5 Device label with matrix code

You can identify your device by means of the device label.

**Note:**

The position of the device label on your device is indicated in the device overview.

The device label consists of a matrix code and the information contained therein in plain text.

The 2D code (Data Matrix Code) contains the following information:

- ① Part number: 1234.567
- ② Hardware revision: 1
- ③ Serial number: 20000

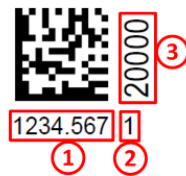


Figure 3: Example 2D label

3 Safety

3.1 General note

The documentation in the form of a user manual, an operating instruction manual or other manual types, as well as the accompanying texts have been created for the use of the products by qualified personnel. When using the products, all Safety Messages, Integrated Safety Messages, Property Damage Messages and all valid legal regulations must be obeyed. Technical knowledge is presumed. The user has to assure that all legal regulations are obeyed.

3.2 Intended use

With the PC card CIFX M223090AE-DP\F a PROFIBUS DP Slave communication can be realized if the corresponding firmware is loaded. Information about the permitted firmware versions can be found in section *Revision or version status of hardware and software* [▶ page 8].

3.3 Personnel qualification

The PC card may only be installed, configured, operated or uninstalled by qualified personnel. Job-specific technical skills for people professionally working with electricity must be present concerning the following topics:

- Safety and health at work
- Mounting and connecting of electrical equipment
- Measurement and Analysis of electrical functions and systems
- Evaluation of the safety of electrical systems and equipment
- Installing and configuring IT systems

3.4 Safety messages

3.4.1 Hazardous voltage, electric shock

Danger to life or risk of injury by electric shock may occur if you open the housing of your PC (or connection device) to install your PC card.

- **Hazardous voltages** are present in the PC (or connection device) for mounting. Always read and observe the safety instructions of the PC manufacturer before installation.
- First disconnect the power plug of the PC (or connection device), before opening the housing.
- Make sure that the power supply is off at the PC (or connection device).
- Only then open the housing and install or remove the PC card.

3.4.2 Personal injury, device damage due to hot swap/hot plug

The PC card is not designed or intended for a hot-swap or hot-plug connection. Performing hot-swap or hot-plug may pose a hazard to the PC card, the system platform and the person performing the action.

3.5 Property damage

3.5.1 Excessive supply voltage

The PC card may only be operated with the prescribed supply voltage, which corresponds to the tolerances specified in this manual. The limits of the permitted range must not be exceeded.

Device damage, malfunctions

- If the supply voltage is above the specified upper limit, this can lead to serious damage to the PC card!
- If the supply voltage is below the specified lower limit, malfunctions of the PC card may occur.

3.5.2 Excessive signaling voltage

All I/O signal pins on the PC card tolerate only the specified signal voltage, as specified in this manual.

Device destruction

Operating your PC card at a signal voltage that exceeds the specified signal voltage can cause serious damage to the PC card!

3.5.3 Electrostatic sensitive devices

This equipment is sensitive to electrostatic discharge which cause internal damage and affect normal operation. Therefore adhere to the necessary safety precautions for components that are vulnerable with electrostatic discharge if you install or replace your device. Follow the guidelines listed hereafter when you handle this equipment:

- Touch a grounded object to discharge potential static.
- Wear an approved grounding wriststrap.
- Do not touch connectors or pins on the PC card.
- Do not touch circuit components inside the equipment.
- If available, use a static-safe workstation.
- When not in use, store the equipment in appropriate static-safe packaging.

3.5.4 Power drop during write and delete accesses in the file system

The FAT file system in the netX firmware is subject to certain limitations in its operation. Write and delete accesses in the file system (firmware update, configuration download etc.) can destroy the FAT (File Allocation Table) if the accesses cannot be completed if the power drops. Without a proper FAT, a firmware may not be found and cannot be started.

- Make sure that the power supply of the device does not drop during write and delete accesses in the file system (firmware update, configuration download etc.).

3.5.5 Exceeding the maximum number of permitted write and delete accesses

This device uses a serial flash chip to store remanent data such as firmware storage, configuration storage, etc. This device allows a maximum of 100,000 write/delete accesses that are sufficient for standard operation of the device. However, writing/deleting the chip excessively (e.g. changing the configuration or changing the name of station) leads to the maximum number of permitted write/delete accesses being exceeded and to device damage. For example, if the configuration is changed once an hour, the maximum number is reached after 11.5 years. If the configuration is changed even more frequently, for example once a minute, the maximum number is reached after approx. 69 days.

Avoid exceeding the maximum permitted write/delete accesses by writing too often.

3.6 Information and data security

Take all usual measures for information and data security, in particular, for PC cards with Ethernet technology. Hilscher explicitly points out that a device with access to a public network (Internet) must be installed behind a firewall or only be accessible via a secure connection such as an encrypted VPN connection. Otherwise, the integrity of the device, its data, the application or system section is not safeguarded.

Hilscher cannot assume any warranty or liability for damage due to neglected security measures or incorrect installation.

3.7 Warnings

When installing your device, observe the following warnings on possible personal injury, as well as the warnings on property damage.



WARNING

Hazardous voltage!
Danger to life, risk of injury by electric shock



Hazardous voltages are present in the PC (or connection device).

- First disconnect the power plug of the PC (or connection device), before you open the housing.
- Make sure that the power supply is off at the PC (or connection device).

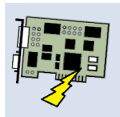


WARNING

Hazardous voltage!
Danger to life, risk of injury by electric shock

Hazardous voltages are present in the PC (or connection device).

- First disconnect the power plug of the PC (or connection device), before you open the housing.
- Make sure that the power supply is off at the PC (or connection device).



CAUTION

Personal injury, device damage due to hot swap/hot plug

The PC card is not designed or intended for a hot-swap or hot-plug connection.

Performing hot-swap or hot-plug may pose a hazard to the PC card, the system platform and the person performing the action.



NOTICE

Electrostatically sensitive devices

To prevent damage to the PC and PC card, make sure the PC card is grounded through the connection plate and PC, and make sure you are grounded when you install or uninstall the PC card.

4 Installing the hardware

4.1 System Requirements

In order to install your PC cards cifX, you need a PC or a connection device with a PCI Express M.2 slot (host interface) for mounting the PC card.

Host interface

PC card	Type	Supply voltage (1)	Current consumption (2)	Signal voltage (3)
CIFX M223090AE-DP\F	PCI Express slot (3.3 V), for M.2 type 2230-D3, Dual Key A-E (Socket 1 Connectivity)	+3.3 VDC $\pm 5\%$	Refer to section <i>PC card CIFX M223090AE-DP\F</i> [▶ page 29].	PCIe compatible

Table 9: Host interface requirements

Comments:

(1) Required or permissible supply voltage

(2) Typical current consumption at 3.3 V. The typical current consumption depends on the type of PC card. To ensure compatibility between different systems, it is recommended to supply a maximum of 1 A (at +3.3 VDC $\pm 5\%$).

(3) Required or tolerated signal voltage at the I/O signal pins on the PCIe bus of the PC card

Host system

For communication via PCI Express, the host system may only use the standard mode with a length of 5 bits for identification (tag field length). In the extended mode, i.e. at lengths of 8 bits for identification of the PCI-Express communication, communication errors occur. Note the errata "CIFX M223090AE" (Hilscher DOC-ID DOC220201ERR01EN) and the solutions and workarounds given therein. The reference is listed in the section *References* [▶ page 36] .

Mounting the basic card

In order to mount the basic card, the board on which the PCI Express M.2 slot is located must have a corresponding mounting bolt for screwing the basic card on. The dimension for positioning the mounting bolt can be taken from the dimension drawing for the basic card provided in this manual.

Operating system

For Device Explorer or Communication Studio: Windows® 10

Component heights

- The component height on the upper side of the basic card CIFX M223090AE is higher than the height of 1.5 mm specified by the standard because the height of the cable connectors (Ethernet X801, or fieldbus X802) including the cable is approx. 8.5 mm above the printed circuit board.
- The component height on the bottom side of the basic card CIFX M223090AE complies with the standard specifications.

Panel dimensioning

- **Panel cut-outs and holes for mounting AIFX**

To mount the detached network interface PROFIBUS, the required panel cut-outs for the communication status LEDs and the PROFIBUS socket connector as well as the holes for mounting the AIFX must be provided on the housing of the PC or connection device.

Panel cut-outs	The layout for the panel cut-outs must be sufficiently dimensioned for: <ul style="list-style-type: none"> • The PROFIBUS interface, DSub socket connector • The communication LEDs STA and ERR
Drill holes	2, at a distance of 25.0 mm
Further information	The dimensions for the required panel cut-outs or the distance between the holes can be taken from the dimension drawing of the AIFX, see section <i>Dimensions AIFX-V2-DP</i> [▶ page 35].

Table 10: Panel cut-outs and holes for AIFX mounting

- **Front panel width**

When dimensioning the front panel, note the width of the front panel specified in section *AIFX-V2-DP* [▶ page 31].

4.2 Requirements for operation

The following described requirements must be fulfilled when operating the PC card.

Requirements	Specification	Refer to section
Hardware installation	Operating the PC card CIFX M223090AE-DP\F requires proper connection of the detached network interface PROFIBUS AIFX-V2-DP to the basic card.	-
Communication	For the communication of a PC card (Slave) a PROFIBUS DP Master device is required. To configure the Master device you need the device description file with the name for: <ul style="list-style-type: none"> • PROFIBUS Slave: HIL_0A12.GSD The settings in the used Master must match the settings in the Slave.	-
Software installation	cifX Device Driver as driver for the host interface (latest version of the driver). Device Explorer as software for downloading or updating the firmware and configuration, as well as for setting the device driver. Communication Studio for configuration and diagnosis of netX 90-based devices.	<i>Revision or version status of hardware and software</i> [▶ page 8] and <i>References</i> [▶ page 36] (documentation on drivers and software)
Firmware download	The user must select the firmware using the Device Explorer software and download it to the PC card. The firmware includes a communication protocol.	
Parameter settings	By use of the Communication Studio configuration software the PC card must be parameterized.	

Table 11: Requirements for operation

4.3 Overview installation and firmware download

Below you will find an overview of the steps to install the hardware, the driver and the firmware for your PC card CIFX M223090AE-DP\F:

Step	Description	See section
Downloading installation files	<ul style="list-style-type: none"> Download the installation files from the Hilscher website for: <ul style="list-style-type: none"> - cifX Device Driver (atest version) - Device Explorer - Communication Studio Save the installation files to the local hard disk of your PC. 	<i>Revision or version status of hardware and software</i> [▶ page 8]
Install drivers and software	<ul style="list-style-type: none"> Double-click the appropriate installation file to open the startup menu. Start the installation from the home screen and follow the instructions in the installation menu. 	
Install hardware	<ul style="list-style-type: none"> Take the protective measures and safety precautions for the hardware installation. Open the housing of the PC or connection device. Insert the basic card into the PCI Express M.2 slot and mount the basic card. Mount the detached network interface to the front panel of the PC. Connect the detached network interface to the basic card. Close the housing of the PC or connection device. 	<i>Installing the hardware</i> [▶ page 19]
Firmware and configuration download	<ul style="list-style-type: none"> Download the firmware according to the information in the "Device Explorer" user manual. <p>The PC card cifX is now ready for operation and has yet to be configured.</p> <ul style="list-style-type: none"> Then download the configuration. 	<i>Loading firmware and configuration in the device or making an update</i> [▶ page 20]

Table 12: Overview for installation and firmware download



For detailed descriptions of how to install and operate the software, refer to the relevant operating instruction manual, section *References* [▶ page 36].

4.4 Installing the hardware

Install the PC card CIFX M223090AE-DP\F in your PC or connection device as described below.

1. Preparation

Note the requirements and prerequisites described in the sections *System Requirements* [▶ page 15] and *Requirements for operation* [▶ page 17].

2. Protective measures and safety precautions

⚠ WARNING Hazardous voltage! Danger to life, risk of injury by electric shock

- Disconnect the power plug of the PC (or connection device).
- Make sure that the power supply is off at the PC (or connection device).

⚠ CAUTION Personal injury, device damage due to hot-plug/hot-swap

- Do not "plug" or "unplug" the PC card during operation.

NOTICE Adhere to the necessary safety precautions for components that are vulnerable with electrostatic discharge.

- Make sure that the device is grounded via the endplate and the PC, and make sure that you are discharged when you install/uninstall the device.

NOTICE Device damage due to over torquing of the mounting screw

- Do not over torque the screw used to mount the basic card to the board to prevent damage to the printed circuit board.

3. Installation

- Open the housing of the PC or connection device.
- Insert the basic card into the PCI Express M.2 slot.
- Screw the basic card onto the board. To do this, use the crescent-shaped hole on the top edge of the basic card. The ground contact via the screw head must be ensured.
- First, attach the detached network interface PROFIBUS AIFX-V2-DP to the housing panel of the PC or connection device.
- Then connect the detached network interface PROFIBUS AIFX-V2-DP to the basic card.



Important:

Note that the detached network interface PROFIBUS AIFX-V2-DP especially is designed for netX 90-based devices and exclusively works together with them. In contrast, the detached network interface Ethernet AIFX-DP is only suitable for netX 100-based devices.

-
- To do this, first plug the cable into the cable connector fieldbus X103 on the AIFX-V2-DP.

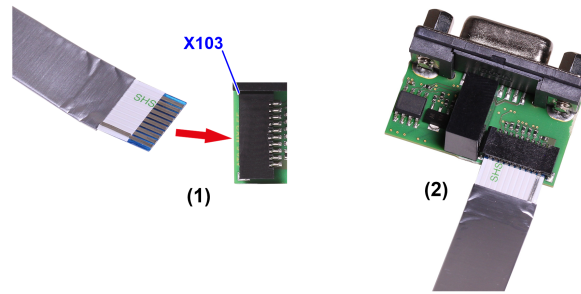


Figure 4: Connecting cable to the detached network interface PROFIBUS AIFX-V2-DP

- Then plug the cable into the cable connector fieldbus X802 on the basic card.

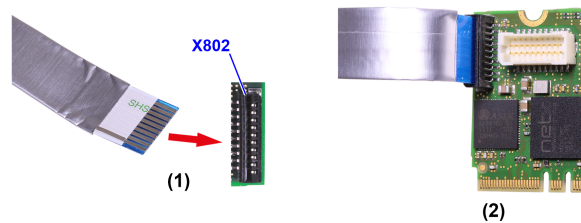


Figure 5: Connecting cable to the basic card, example CIFX M223090AE

- Close the housing of the PC or connection device again.

4.5 Loading firmware and configuration in the device or making an update

- Download the firmware from the Hilscher website and save the firmware on the local hard disk of your PC.
- If necessary, transfer the configuration to the PC. You create the configuration using a suitable configuration software.
- Use **Device Explorer** to load the firmware and configuration into the device or update the firmware and configuration in your device.
- When downloading the firmware and configuration to your device or when performing an update, follow the instructions in the "Device Explorer" operating instruction manual.



For the "Device Explorer" operating instruction manual, see section *References* [▶ page 36].

4.6 Hints for problem solving

In case of an error or malfunction during operation of your PC card cifX, observe the following troubleshooting instructions:

General

- Check that the requirements for operation of the PC card are met according to the information provided in this user manual.

SYS, ERR, and STA LEDs

You can troubleshoot the system by checking the behavior of the LEDs.

- The SYS LED (yellow/green) on the device indicates the general device status and can be switched on, off or blinks.
- The STA LED (green) and ERR LED (red) at the detached network interface PROFIBUS indicate the status of the device communication and may be permanently switched on or off, flash or they blink cyclically or acyclically.

If the SYS LED and the STA LED are static green, the PC card cifX is in the "in operation" state. The slave device is in the state of cyclic communication with the connected master device. The communication between the master device and the slave device runs without interference.

Cable

- Check that the pin assignment of the cable used to connect the PC card (Slave) to the Master device is correct.



Detailed descriptions of the behavior of the LEDs can be found in the chapter on LEDs in this manual. Information about the device diagnostics and its functions can be found in the user manual of the configuration software for your device.

4.7 Uninstalling the hardware

Uninstall the PC card CIFX M223090AE-DP\F from your PC or connection device as described below.

1. Protective measures and safety precautions

⚠ WARNING Hazardous voltage! Danger to life, risk of injury by electric shock

- Disconnect the power plug of the PC (or connection device).
- Make sure that the power supply is off at the PC (or connection device).

⚠ CAUTION Personal injury, device damage due to hot-plug/hot-swap

- Do not "plug" or "unplug" the PC card during operation.

NOTICE Adhere to the necessary safety precautions for components that are vulnerable with electrostatic discharge.

- Make sure that the device is grounded via the endplate and the PC, and make sure that you are discharged when you install/uninstall the device.

2. Uninstallation

- Open the housing of the PC or connection device.
- Demount the detached network interface PROFIBUS from the basic card.
- Therefore pull the cable out of the cable connector fieldbus X802 (on the basic card), as well as out of the cable connector fieldbus X103 on the AIFX-V2-DP.
- Loosen the screw that secures the basic card to the board.
- Remove the basic card from the PCI Express M.2 slot.
- Remove the detached network interface from the housing cover of the PC or connection device.
- Close the housing of the PC or connection device again.

4.8 Disposal of waste electronic equipment

Important notes from the European Directive 2012/19/EU "Waste Electrical and Electronic Equipment (WEEE)"



Waste electronic equipment

This product must not be treated as household waste.

This product must be disposed of at a designated waste electronic equipment collecting point.

Waste electronic equipment may not be disposed of as household waste. As a consumer, you are legally obliged to dispose of all waste electronic equipment according to national and local regulations.

5 Diagnosis with LEDs

5.1 Overview




LED	PROFIBUS DP
System status	SYS  Yellow/green
Communication status	STA  Green
Communication status	ERR  Red

Table 13: LEDs PROFIBUS DP

5.2 System LED

The system status LED **SYS** can assume the states described below.











LED	Color	State	Description
SYS	Duo-LED: yellow RDY / green RUN		
	 (green)	On	The firmware is running.
	 (green)	Blinking	During the formatting of the file system
	 (yellow)	On	A system error has occurred.
	 (yellow)/  (green)	Blinking, 3x yellow, 3x green	Firmware crash, unrecoverable (an internal exception occurred that cannot be handled)
	 (yellow)/  (green)	Blinking, 1 Hz	Firmware update mode active: The firmware is idle and waiting for the update file.
	 (yellow)/  (green)	Blinking, 4 Hz	Firmware update mode active: A firmware update is being installed.
 (gray)	Off	<ul style="list-style-type: none"> No supply voltage: No supply voltage for the device or hardware defect. During a firmware reset 	

Table 14: States of the SYS-LED

LED state	Definition
Blinking	The LED turns on and off in phases.
Blinking, 3x yellow, 3x green	The LED turns on and off, with a frequency of approx. 1 Hz: <ul style="list-style-type: none"> 3x yellow "On" for 500 ms and "Off" for 500 ms and 3x green "On" for 500 ms and "Off" for 500 ms.
Blinking, yellow/green, 1 Hz, 4 Hz	The LED turns on in phases yellow or green, with a frequency of approx.: <ul style="list-style-type: none"> 1 Hz: 1 x yellow "On" for 500 ms and 1 x green "On" for 500 ms, 4 Hz: 1 x yellow "On" for 125 ms and 1 x green "On" for 125 ms.

Table 15: Definitions of the states of the SYS LED

5.3 PROFIBUS DP Slave

For the PROFIBUS DP Slave protocol, the communication status LEDs STA and ERR can show the states described below. This description is valid for stack version V2.7 and higher.








LED	Color	State	Description
STA	Duo LED red/green		
	 (green)	On	RUN, cyclic communication
	 (green)	Flashing, cyclic (2 Hz)	Master is in CLEAR state.
	 (off)	Off	ERR LED is off: The device is not switched on or supply voltage is missing. ERR LED flashes or in "on" state: See descriptions ERR LED.
ERR	Duo LED red/green		
	 (red)	Flashing, acyclic (1 Hz)	The device is not configured.
	 (red)	Flashing, cyclic (2 Hz)	STOP, no communication, connection error
	 (red)	On	Wrong PROFIBUS DP configuration
	 (off)	Off	No error: There is no error, respectively see description for STA LED.

Table 16: LED states for the PROFIBUS DP Slave protocol

LED states	Definition
Flashing, acyclic (1 Hz)	The LED turns on and off in irregular intervals, with a frequency of 1 Hz: "on" for 750 ms, followed by "off" for 250 ms.
Flashing, cyclic (2 Hz)	The LED turns on and off with a frequency of 2 Hz: "on" for 250 ms, followed by "off" for 250 ms.

Table 17: LED state definitions for the PROFIBUS DP Slave protocol

6 Connectors

6.1 PROFIBUS interface

Potential-free RS-485 interface:

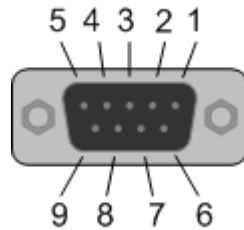


Figure 6: PROFIBUS interface (DSub socket connector, 9 pin), X201

Connection with DSub socket	Signal	Description
3	RxD/TxD-P	Receive/transmit data P or connection B on the socket
5	DGND	Data reference potential
6	VP	Positive supply voltage
8	RxD/TxD-N	Receive/transmit data-N or connection A on the plug

Table 18: Pin assignment of the PROFIBUS interface, X201

6.2 Cabel connector fieldbus X802, on CIFX M223090AE

Pin assignment for cable connector fieldbus X802 (10FMN-BMT-A-TF) on the basic card CIFX M223090AE, cable 10-pin fieldbus

Pin	Name	Description	Type
1	GND	Ground	Power
2	3V3	3.3V Power	Power
3	I2C_SCL	I2C clock signal	Output
4	I2C_SDA	I2C data signal	Input / Output
5	XM0_TX	Fieldbus transmit	Output
6	XM0_RX	Fieldbus receive	Input
7	XM0_IO0	Fieldbus input output 0	Input / Output
8	XM0_IO1	Fieldbus input output 1	Input / Output
9	RSTOUT#	Reset out	Output
10	MLED0 (COM0)	LED COM0 (red/green)	Output

Table 19: Pin assignment for cable connector fieldbus X802 (10FMN-BMT-A-TF), on CIFX M223090AE

6.3 Cable connector fieldbus X103, AIFX-V2-DP

Pin assignment for cable connector fieldbus X103, AIFX-V2-DP, 10-pin cable

Pin	Name	Description	Type
1	GND	Ground	Power
2	3V3	3.3V Power	Power
3	I2C_SCL	I2C clock signal	Input
4	I2C_SDA	I2C data signal	Input / Output
5	TX	Fieldbus transmit	Input
6	RX	Fieldbus receive	Output
7	EN_PB	Enable PROFIBUS	Input / Output
8	-	(not used)	NC
9	RSTOUT#	Reset out	Input
10	MLED0 (COM0)	RE LED COM0 (red/green)	Input

Table 20: Pin assignment for cable connector fieldbus X103, AIFX-V2-DP

6.4 PCI Express M.2 bus

The following table applies for pin assignment on the PCI Express M.2 bus of the PC card CIFX M223090AE (basic card).

Pin	Name	Description	Type
1	GND	Return current path.	Power
2	3.3V	3.3V supply	Power
3	NC	(not used)	-
4	3.3V	3.3V supply	Power
5	NC	(not used)	-
6	BOOT#	Reserved (vendor defined pin for production purposes only).	Input
7	GND	Return current path.	Power
8-15	-	KEY A	-
16	NC	(not used)	-
17	NC	(not used)	-
18	GND	Return current path.	Power
19-23	NC	(not used)	-
24-31	-	KEY E	-
32	NC	(not used)	-
33	GND	Return current path.	Power
34	NC	(not used)	-
35	PERp0	PCIe TX/RX Differential signals defined by the PCI Express CEM Specification.	Input
36	NC	(not used)	-
37	PERn0	PCIe TX/RX Differential signals defined by the PCI Express CEM Specification.	Input
38	NC	(not used)	-
39	GND	Return current path.	Power
40	SYNC1	synchronisation pin for realtime systems	Output
41	PETp0	PCIe TX/RX Differential signals defined by the PCI Express CEM Specification.	Output
42	SYNC0	synchronisation pin for realtime systems	Output
43	PETn0	PCIe TX/RX Differential signals defined by the PCI Express CEM Specification.	Output
44	NC	(not used)	-
45	GND	Return current path.	Power
46	NC	(not used)	-
47	REFCLKP	PCIe Reference Clock signals (100 MHz) defined by the PCI Express CEM Specification.	Input
48	NC	(not used)	-
49	REFCLKN	PCIe Reference Clock signals (100 MHz) defined by the PCI Express CEM Specification.	Input
50	NC	(not used)	-
51	GND	Return current path.	Power
52	PERST#	PCIe Reset is a functional reset to the card as defined by the PCI Express Mini CEM Specification.	Input
53	CLKREQ#	PCIe Clock Request is a reference clock request signal as defined by the PCI Express Mini CEM Specification. This signal is also used by L1PM Substates. Open Drain with pull up on Platform. Active Low.	I/O
54	NC	(not used)	-
55	PEWAKE#	PCIe WAKE#. Open Drain with pull up on Platform. Active Low when used as PEWAKE#. When the Adapter supports wakeup, this signal is used to request that the system return from a sleep/suspend state to service a function-initiated wake event. When the Adapter supports OBFF mechanism, the PEWAKE#signal is used for OBFF signaling.	I/O
56	NC	(not used)	-
57	GND	Return current path.	Power
58-63	NC	(not used)	-
63	GND	Return current path.	Power

Pin	Name	Description	Type
64-68	NC	(not used)	-
69	GND	Return current path.	Power
70	NC	(not used)	-
71	NC	(not used)	-
72	3.3V	3.3V supply	Power
73	NC	(not used)	-
74	3.3V	3.3V supply	Power
75	GND	Return current path.	Power

Table 21: Pin assignment PCI Express M.2 bus X201, CIFX M223090AE

7 Technical data

7.1 PC card CIFX M223090AE-DP\F

Category	Parameter	Value	
Part		Name	Part number
	PC card (basic card with AIFX-V2-DP)	CIFX M223090AE-DP\F	1443.401
	Basic card	CIFX M223090AE	1443.100
	Function	Communication interface M.2 2230 key A+E, with PCI Express M.2 interface and PROFIBUS interface. The use refers exclusively to slave systems.	
Communication controller	Type	netX 90	
Integrated memory	RAM	8 MB SDRAM	
	Flash	8 MB + 1 MB	
	Size of the Dual-Port Memory	64 Kbyte	
System interface	Bus type	PCI Express M.2, one-lane port	
	Transmission rate	33 MHz	
	Data access	DPM	
	Dual-Port Memory (DPM) data access width	32-Bit	
PROFIBUS communication	Supported fieldbus communication system	PROFIBUS DP Slave	
PROFIBUS interface	Transmission rate	9.6 kBit/s, 19.2 kBit/s, 31.25 kBit/s, 45.45 kBit/s, 93.75 kBit/s, 187.5 kBit/s, 500 kBit/s, 1.5 MBit/s, 3 MBit/s, 6 MBit/s, 12 MBit/s	
	Interface type	RS 485	
	Detached network interface PROFIBUS	Important! Operating the PC card CIFX M223090AE-DP\F requires proper connection of the detached network interface PROFIBUS AIFX-V2-DP to the basic card.	
	Connector AIFX-V2-DP	Cable connector fieldbus X802 (JST 10FMN-BMT-A-TF, 1.0 mm pitch)	
Diagnosis with LEDs	LEDs	SYS	System status
Power supply	Supply voltage	+3.3 VDC ±5%	
	Current consumption at 3.3 V	330 mA (maximum)	
	Connector	via PCI Express Bus M.2	
Environmental conditions	Operating temperature range*	-20 °C ... +70 °C	-20 °C ... +60 °C
	*Air flow, during measurement	0.5 m/s	0.0 m/s
	Storage temperature range	-40 °C ... +85 °C	
	Humidity	10% ... 95% relative humidity, no condensation permitted	
	Environment	The device must be used only in a pollution degree 2 environment (or better).	

Category	Parameter	Value
Device	Dimensions (L x W x H)	30 x 22 x 7.0 mm
	Component heights	The component height on the top of the basic card CIFX M223090AE exceeds the height of 1.5 mm specified by the standard, because the height of the cable connectors (Ethernet X801, or fieldbus X802), including the cable, is approximately 8.5 mm above the circuit board. The component height on the bottom of the basic card CIFX M223090AE complies with the standard specifications.
	Host system	Note: The basic card CIFX M223090AE uses an ASIX Ax99100. Therefore, the PC card CIFX M223090AE-DP\F can only be operated with a PCIe host controller that supports accesses to the IO area of the card (IOBAR).
	Mounting/installation	PCI Express slot (3.3 V), for M.2 type 2230-D3, Dual key A-E (Socket 1 Connectivity)
EMC Compliance	CE sign	Yes
	UKCA sign	Yes
	Emission	DIN EN 61000-6-3/ BS EN 61000-6-3
	Immunity	DIN EN 61000-6-2/ BS EN 61000-6-2
	Documentation to prove the restriction of hazardous substances	EN 50581 / BS EN 50581
	RoHS	Yes
Firmware and configuration download	Software to download and update the firmware and configuration	Device Explorer
Configuration	Configuration software	Communication Studio

Table 22: Technical data CIFX M223090AE-DP\F

7.2 PCI identifiers on the PCI Express M.2 bus

The PC card CIFX M223090AE-DP\F is a multifunctional device at the PCI Express M.2 bus and requires two PCI identifiers. The following identifiers are valid:

PCI identifier	Value
Vendor ID	0x15CF
Device ID	0x0090
Subsystem vendor ID	0x15CF
Subsystem device ID	0x6001 (Flash-based device, SPM) 0x1002 (interrupt source, SPM)

Table 23: PCI identifiers on the PCI Express M.2 bus

7.3 AIFX-V2-DP

Category	Parameter	Value	
Part	Name	AIFX-V2-DP	
	Part number	2801.400	
	Description	Detached network interface PROFIBUS for all netX 90-based devices. Important! The detached network interface PROFIBUS AIFX-V2-DP works exclusively together with netX 90 based devices.	
Interface PC card	Connector	Cable connector fieldbus X103 (JST 10FMN-SMT-A-TF, 1.0 mm pitch)	
PROFIBUS interface	Galvanic isolation	isolated	
	Isolation voltage	1000 VDC (tested for 1 minute)	
	Connector	SubD socket, 9-pin	
Diagnosis with LEDs	LEDs (on the reverse side of the device)	STA	LED Communication status
		ERR	LED Communication status
Power supply	Connector	Cabel connector fieldbus X103	
Environmental conditions	Operating temperature range*	-20 °C ... +70 °C	-20 °C ... +60 °C
	*Air flow, during measurement	0.5 m/s	0.0 m/s
	Storage temperature range	-40 °C ... +85 °C	
	Humidity	10% ... 95% relative humidity, no condensation permitted	
	Environment	The device must be used only in a pollution degree 2 environment (or better).	
Device	Dimensions (L x W x H)	17 x 31 x 14.3 mm, front panel width = 18.5 mm	
	Mounting/installation	On the netX 90-based basic card: Cable connector fieldbus X802. Mounting to the housing of the PC or connection device.	
EMC Compliance	CE sign	Yes	
	UKCA sign	Yes	
	Emission, Immunity	Tested together with the corresponding basic card.	
	RoHS	Yes	

Table 24: Technical data AIFX-V2-DP

7.4 Communication protocols

7.4.1 PROFIBUS DP Slave

Feature	Description
Maximum number of cyclic input data	244 bytes
Maximum number of cyclic output data	244 bytes
Maximum number of acyclic read/write data	240 bytes
Configuration data (maximum)	244 bytes
Parameter data (maximum)	237 bytes of application-specific parameters
Key features	<ul style="list-style-type: none"> • PROFIBUS DP-V0 • PROFIBUS DP-V1 Class 1 and 2 • Automatic baud rate detection
Supported state machines	<ul style="list-style-type: none"> • FSPMS (Fieldbus Service Protocol Slave state machine) • MSCY1S (Master to Slave Cyclic state machine) • DMPMS (Data Link Mapping Protocol Slave state machine) • MSAC1S (Master Class1 to Slave Acyclic state machine) • MSAC2S (Master Class2 to Slave Acyclic state machine) • MSRM2S (Master Class2 to Slave Resource Manager state machine)
Acyclic communication	<ul style="list-style-type: none"> • DP-V1 Class 1 Read/Write • DP-V1 Class 1 Alarm • DP-V1 Class 2 Read/Write/Data Transport
Baud rate	9.6 kBits/s, 19.2 kBits/s, 31.25 kBits/s, 45.45 kBits/s, 93.75 kBits/s, 187.5 kBits/s, 500 kBits/s, 1.5 MBits/s, 3 MBits/s, 6 MBits/s, 12 MBits/s Automatic baud rate detection is supported
Data transport layer	PROFIBUS FDL
Restrictions	<p>I&M LR services other than 'Call-REQ/RES' are not supported.</p> <p>DP-V2 SSCY1S – 'Slave to Slave Cyclic Communication State Machine' is not implemented.</p> <p>DP-V2 'Data Exchange Broadcast' is not implemented.</p> <p>DP-V2 'Isochrone Mode' is not supported.</p> <p>DP-V2 MSCS1S – 'Master to Slave Clock Synchronization' is not supported.</p>
Reference to firmware/stack version	5.1

Table 25: Technical data PROFIBUS DP Slave

8 Dimensions

8.1 Tolerances of PCB dimensions

The manufacturing tolerance of the PCB dimensions shown is ± 0.1 mm per milled PCB edge. For all indicated dimensions of the printed circuit board, a tolerance of ± 0.1 mm (per milled edge) $\times 2 = \pm 0.2$ mm results for the length L and for the width B respectively.

$B = [\text{width dimension of printed circuit board in mm}] \pm 0.2 \text{ mm}$

$L = [\text{Length dimension of the PCB in mm}] \text{ mm} \pm 0.2 \text{ mm}$

The depth T of the PCB depends on the highest component used or the PCB thickness plus the descenders. The thickness of the PCB is $= 0.8 \text{ mm} \pm 10 \%$.



Note:

The dimensions (L x W x H) given in the section *Technical data* [▶ page 29] (or the identical information in the product data sheet or on the Hilscher website) are rounded figures or the respective total measure (for example, including the front panel).

8.2 Dimensions CIFS M223090AE

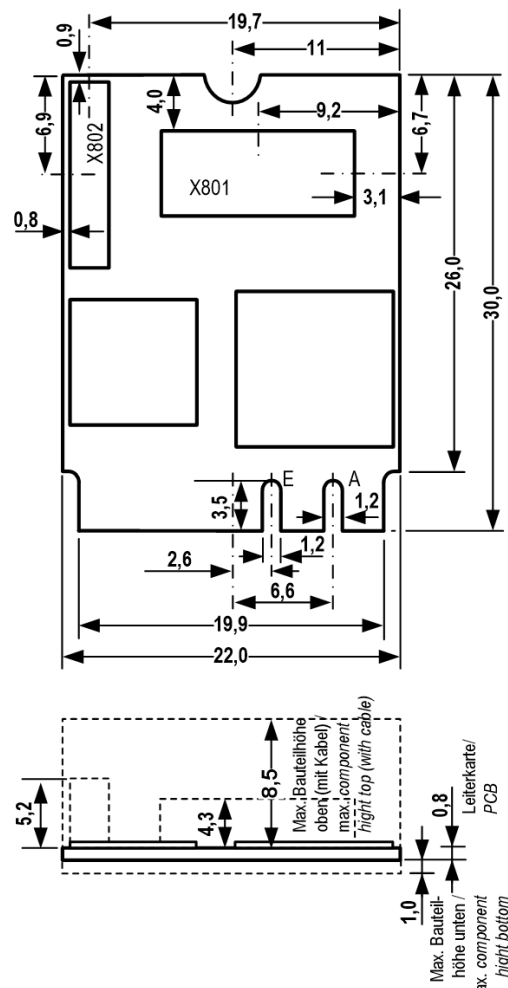


Figure 7: Dimensions CIFS M223090AE (revision 4)



Note:

The component height on the upper side of the basic card CIFS M223090AE does not comply with the standard specifications. For more information, see section *System Requirements* [▶ page 15].

8.3 Dimensions AIFX-V2-DP

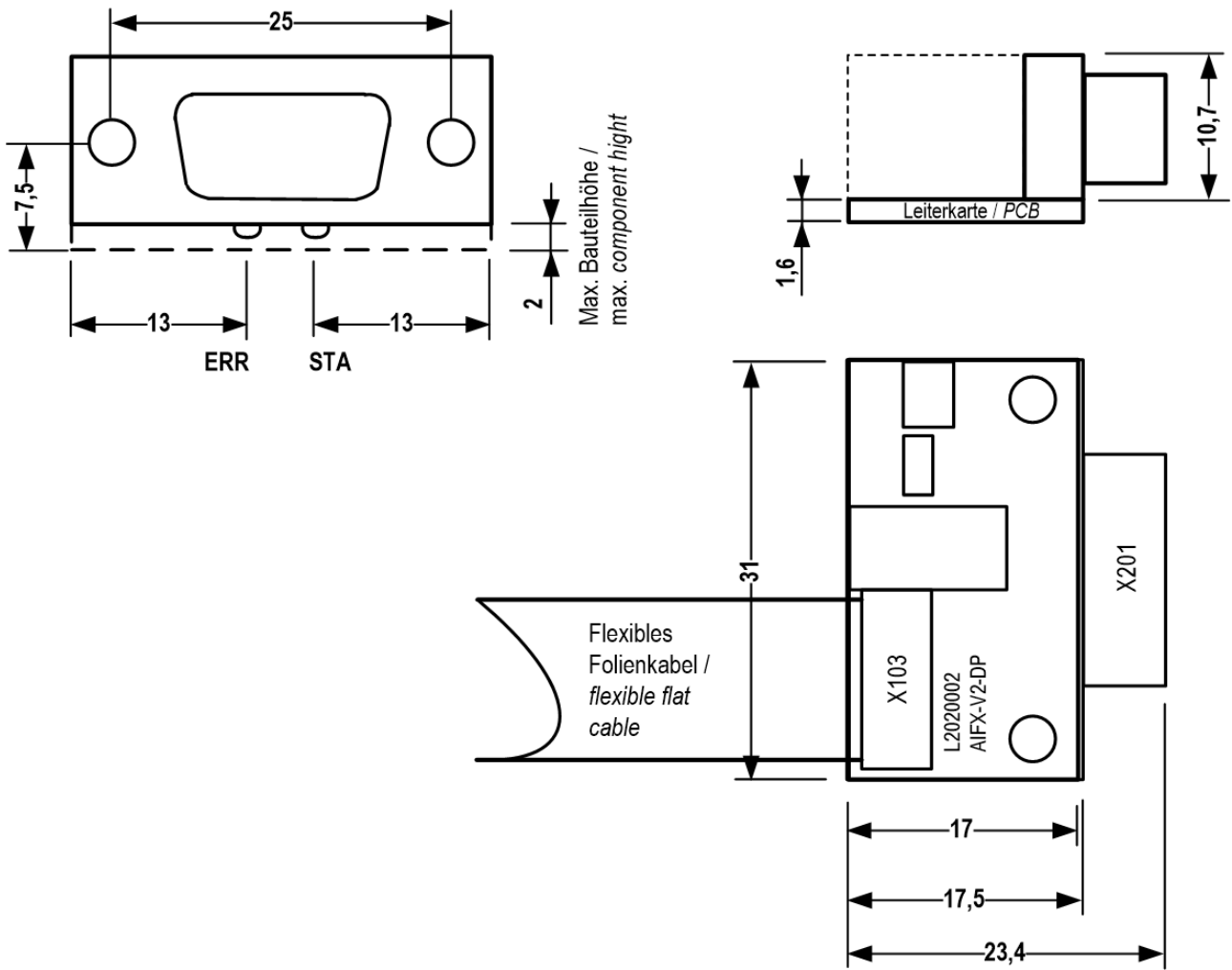


Figure 8: AIFX-V2-DP (Revision 2)

9 Appendix

9.1 FCC compliance

Federal Communications Commission (FCC)

This device complies with part 15 of the FCC Rules. Operation is subject to the following two conditions:

1. This device may not cause harmful interference, and
2. This device must accept any interference received, including interference that may cause undesired operation.

Note: This equipment has been tested and found to comply with the limits for a Class A digital device, pursuant to part 15 of the FCC Rules. These limits are designed to provide reasonable protection against harmful interference when the equipment is operated in a commercial environment. This equipment generates, uses, and can radiate radio frequency energy and, if not installed and used in accordance with the instruction manual, may cause harmful interference to radio communications. Operation of this equipment in a residential area is likely to cause harmful interference in which case the user will be required to correct the interference at his own expense.

9.2 References

PCI Express M.2 specification

PCI-SIG (Special Interest Group), PCI Express M.2 Specification, Revision 1.1, English, 2016-12

Protocol API Manuals

Hilscher Gesellschaft für Systemautomation mbH: Protocol API, PROFIBUS DP Slave V5.1.0, Revision 1, DOC191004API01EN, English, 2020-02.

Documentations on drivers and software

Hilscher Gesellschaft für Systemautomation mbH: User manual, PC card CIFX M223090AE-DP\F PROFIBUS DP, Hardware description and installation, DOC200301UMxxEN, English, 2020-12

Hilscher Gesellschaft für Systemautomation mbH: Operating instruction manual, cifX Device Driver, Installation and Operation for Windows XP/Vista/7/8/10, DOC060601OIxxEN, English, 2019-01

Hilscher Gesellschaft für Systemautomation mbH: Operating instruction manual, Device Explorer, Download firmware to device, DOC190302OIxxEN, English, 2020-02

Hilscher Gesellschaft für Systemautomation mbH: Operating instruction manual, Communication Studio, Tool for configuration and diagnosis, DOC190501OIxxEN, English, 2020-02

Safety standards

American National Standards Institute, Inc.: American National Standard, Product Safety Information in Product Manuals, Instructions, and Other Collateral Materials, ANSI Z535.6-2016, English, 2016.

DIN Deutsches Institut für Normung e. v. and VDE Verband der Elektrotechnik Elektronik Informationstechnik e. V.: German standard, Equipment for audio/video, information and communication technology - Part 1: Safety requirements, (IEC 62368-1:2014, modified + Cor.:2015); English version EN 62368-1:2014 + AC:2015, English, 2016-05.

DIN Deutsches Institut für Normung e. v. and VDE Verband der Elektrotechnik Elektronik Informationstechnik e. V.: German standard, Electrostatics - Part 5-1: Protection of electronic components against electrostatic phenomena, General requirements, (IEC 61340-5-1:2016); English version EN 61340-5-1:2016, English, 2017-07.

DIN Deutsches Institut für Normung e. v. und VDE Verband der Elektrotechnik Elektronik Informationstechnik e. V.: German standard, Electrostatics - Part 5-2: Protection of electronic components against electrostatic phenomena, User manual, (IEC TR 61340-5-2:2018), DIN IEC/ TR 61340-5-2 (VDE V 0300-5-2), English, 2019-04.

Errata for ASIX Ax99100

Hilscher Gesellschaft für SystemAutomation mbH: Errata, CIFX M223090AE, Errata, DOC220201ERR01EN, English, 2022-01

9.3 Conventions in this manual

Instructions

1. Operation purpose
2. Operation purpose
 - Instruction

Results

- ↻ Intermediate result
- ⇒ Final result

Signs







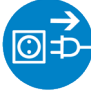
Sign	Note	Safety sign	Warning, principle
	General note	  (USA)	Warning of hazardous voltage! Danger to life, risk of injury by electric shock
	Important note that must be followed to prevent malfunctions		Warning of damage due to electrostatic discharge
	Reference to further information		Principle: Disconnect the power plug

Table 26: Signs

Signal words





Signal word	Description
	Indicates a hazardous situation, which if not avoided, will result in death or serious injury.
	Indicates a hazardous situation, which if not avoided, could result in death or serious injury.
	Indicates a hazardous situation, which if not avoided, may result in minor or moderate injury.
	Indicates a property damage message.

Table 27: Signal words

9.4 Legal notes

Copyright

© Hilscher Gesellschaft für Systemautomation mbH

All rights reserved.

The images, photographs and texts in the accompanying materials (in the form of a user's manual, operator's manual, Statement of Work document and all other document types, support texts, documentation, etc.) are protected by German and international copyright and by international trade and protective provisions. Without the prior written consent, you do not have permission to duplicate them either in full or in part using technical or mechanical methods (print, photocopy or any other method), to edit them using electronic systems or to transfer them. You are not permitted to make changes to copyright notices, markings, trademarks or ownership declarations. Illustrations are provided without taking the patent situation into account. Any company names and product designations provided in this document may be brands or trademarks by the corresponding owner and may be protected under trademark, brand or patent law. Any form of further use shall require the express consent from the relevant owner of the rights.

Important notes

Utmost care was/is given in the preparation of the documentation at hand consisting of a user's manual, operating manual and any other document type and accompanying texts. However, errors cannot be ruled out. Therefore, we cannot assume any guarantee or legal responsibility for erroneous information or liability of any kind. You are hereby made aware that descriptions found in the user's manual, the accompanying texts and the documentation neither represent a guarantee nor any indication on proper use as stipulated in the agreement or a promised attribute. It cannot be ruled out that the user's manual, the accompanying texts and the documentation do not completely match the described attributes, standards or any other data for the delivered product. A warranty or guarantee with respect to the correctness or accuracy of the information is not assumed.

We reserve the right to modify our products and the specifications for such as well as the corresponding documentation in the form of a user's manual, operating manual and/or any other document types and accompanying texts at any time and without notice without being required to notify of said modification. Changes shall be taken into account in future manuals and do not represent an obligation of any kind, in particular there shall be no right to have delivered documents revised. The manual delivered with the product shall apply.

Under no circumstances shall Hilscher Gesellschaft für Systemautomation mbH be liable for direct, indirect, ancillary or subsequent damage, or for any loss of income, which may arise after use of the information contained herein.

Liability disclaimer

The hardware and/or software was created and tested by Hilscher Gesellschaft für Systemautomation mbH with utmost care and is made available as is. No warranty can be assumed for the performance or flawlessness of the hardware and/or software under all application conditions and scenarios and the work results achieved by the user when using the hardware and/or software. Liability for any damage that may have occurred as a result of using the hardware and/or software or the corresponding documents shall be limited to an event involving willful intent or a grossly negligent violation of a fundamental contractual obligation. However, the right to assert damages due to a violation of a fundamental contractual obligation shall be limited to contract-typical foreseeable damage.

It is hereby expressly agreed upon in particular that any use or utilization of the hardware and/or software in connection with

- Flight control systems in aviation and aerospace;
- Nuclear fission processes in nuclear power plants;
- Medical devices used for life support and
- Vehicle control systems used in passenger transport

shall be excluded. Use of the hardware and/or software in any of the following areas is strictly prohibited:

- For military purposes or in weaponry;
- For designing, engineering, maintaining or operating nuclear systems;
- In flight safety systems, aviation and flight telecommunications systems;
- In life-support systems;
- In systems in which any malfunction in the hardware and/or software may result in physical injuries or fatalities.

You are hereby made aware that the hardware and/or software was not created for use in hazardous environments, which require fail-safe control mechanisms. Use of the hardware and/or software in this kind of environment shall be at your own risk; any liability for damage or loss due to impermissible use shall be excluded.

Warranty

Hilscher Gesellschaft für Systemautomation mbH hereby guarantees that the software shall run without errors in accordance with the requirements listed in the specifications and that there were no defects on the date of acceptance. The warranty period shall be 12 months commencing as of the date of acceptance or purchase (with express declaration or implied, by customer's conclusive behavior, e.g. putting into operation permanently).

The warranty obligation for equipment (hardware) we produce is 36 months, calculated as of the date of delivery ex works. The aforementioned provisions shall not apply if longer warranty periods are mandatory by law pursuant to Section 438 (1.2) BGB, Section 479 (1) BGB and Section 634a (1) BGB [Bürgerliches Gesetzbuch; German Civil Code] If, despite of all due care taken, the delivered product should have a defect, which already existed at the time of the transfer of risk, it shall be at our discretion to either repair the product or to deliver a replacement product, subject to timely notification of defect.

The warranty obligation shall not apply if the notification of defect is not asserted promptly, if the purchaser or third party has tampered with the products, if the defect is the result of natural wear, was caused by unfavorable operating conditions or is due to violations against our operating regulations or against rules of good electrical engineering practice, or if our request to return the defective object is not promptly complied with.

Costs of support, maintenance, customization and product care

Please be advised that any subsequent improvement shall only be free of charge if a defect is found. Any form of technical support, maintenance and customization is not a warranty service, but instead shall be charged extra.

Additional guarantees

Although the hardware and software was developed and tested in-depth with greatest care, Hilscher Gesellschaft für Systemautomation mbH shall not assume any guarantee for the suitability thereof for any purpose that was not confirmed in writing. No guarantee can be granted whereby the hardware and software satisfies your requirements, or the use of the hardware and/or software is uninterrupted or the hardware and/or software is fault-free.

It cannot be guaranteed that patents and/or ownership privileges have not been infringed upon or violated or that the products are free from third-party influence. No additional guarantees or promises shall be made as to whether the product is market current, free from deficiency in title, or can be integrated or is usable for specific purposes, unless such guarantees or promises are required under existing law and cannot be restricted.

Confidentiality

The customer hereby expressly acknowledges that this document contains trade secrets, information protected by copyright and other patent and ownership privileges as well as any related rights of Hilscher Gesellschaft für Systemautomation mbH. The customer agrees to treat as confidential all of the information made available to customer by Hilscher Gesellschaft für Systemautomation mbH and rights, which were disclosed by Hilscher Gesellschaft für Systemautomation mbH and that were made accessible as well as the terms and conditions of this agreement itself.

The parties hereby agree to one another that the information that each party receives from the other party respectively is and shall remain the intellectual property of said other party, unless provided for otherwise in a contractual agreement.

The customer must not allow any third party to become knowledgeable of this expertise and shall only provide knowledge thereof to authorized users as appropriate and necessary. Companies associated with the customer shall not be deemed third parties. The customer must obligate authorized users to confidentiality. The customer should only use the confidential information in connection with the performances specified in this agreement.

The customer must not use this confidential information to his own advantage or for his own purposes or rather to the advantage or for the purpose of a third party, nor must it be used for commercial purposes and this confidential information must only be used to the extent provided for in this agreement or otherwise to the extent as expressly authorized by the disclosing party in written form. The customer has the right, subject to the obligation to confidentiality, to disclose the terms and conditions of this agreement directly to his legal and financial consultants as would be required for the customer's normal business operation.

Export provisions

The delivered product (including technical data) is subject to the legal export and/or import laws as well as any associated regulations of various countries, especially such laws applicable in Germany and in the United States. The products / hardware / software must not be exported into such countries for which export is prohibited under US American export control laws and its supplementary provisions. You hereby agree to strictly follow the regulations and to yourself be responsible for observing them. You are hereby made aware that you may be required to obtain governmental approval to export, reexport or import the product.

9.5 Registered trademarks

Windows® 10 is a registered trademark of the Microsoft Corporation.

Adobe-Acrobat® is a registered trademark of the Adobe Systems Incorporated.

PROFIBUS® is a registered trademark of PROFIBUS & PROFINET International (PI), Karlsruhe.

PCI Express® and PCIe® are trademarks or registered trademarks of the Peripheral Component Interconnect Special Interest Group (PCI-SIG).

All other brands mentioned are property of their respective owner of the rights. Any company names and product designations provided in this document may be brands (company names or trademarks) of the corresponding owner and may be protected under trademark or patent law.

List of figures

Figure 1:	Basic card CIFX M223090AE (revision 3)	6
Figure 2:	Detached network interface AIFX-V2-DP (Revision 2).....	7
Figure 3:	Example 2D label	9
Figure 4:	Connecting cable to the detached network interface PROFIBUS AIFX-V2-DP ...	20
Figure 5:	Connecting cable to the basic card, example CIFX M223090AE	20
Figure 6:	PROFIBUS interface (DSub socket connector, 9 pin), X201.....	25
Figure 7:	Dimensions CIFX M223090AE (revision 4)	34
Figure 8:	AIFX-V2-DP (Revision 2).....	35

List of tables

Table 1:	List of revisions	4
Table 2:	PC card CIFX M223090AE-DP\F	5
Table 3:	Meaning of the device name.....	5
Table 4:	Legend on the basic card CIFX M223090AE	6
Table 5:	Legend for the detached network interface AIFX-V2-DP.....	7
Table 6:	Hardware revisions	8
Table 7:	Driver and software versions	8
Table 8:	Firmware version and file names for permitted protocols	8
Table 9:	Host interface requirements.....	15
Table 10:	Panel cut-outs and holes for AIFX mounting	16
Table 11:	Requirements for operation	17
Table 12:	Overview for installation and firmware download	18
Table 13:	LEDs PROFIBUS DP	23
Table 14:	States of the SYS-LED	23
Table 15:	Definitions of the states of the SYS LED	23
Table 16:	LED states for the PROFIBUS DP Slave protocol.....	24
Table 17:	LED state definitions for the PROFIBUS DP Slave protocol	24
Table 18:	Pin assignment of the PROFIBUS interface, X201.....	25
Table 19:	Pin assignment for cable connector fieldbus X802 (10FMN-BMT-A-TF), on CIFX M223090AE	26
Table 20:	Pin assignment for cable connector fieldbus X103, AIFX-V2-DP	26
Table 21:	Pin assignment PCI Express M.2 bus X201, CIFX M223090AE	27
Table 22:	Technical data CIFX M223090AE-DP\F	29
Table 23:	PCI identifiers on the PCI Express M.2 bus.....	30
Table 24:	Technical data AIFX-V2-DP	31
Table 25:	Technical data PROFIBUS DP Slave	32
Table 26:	Signs.....	38
Table 27:	Signal words	38

Glossary

CIFX M223090AE	Communication interface in M.2 format with A+E key from Hilscher on the basis of the communication controller netX 90
netX	networX on chip, Hilscher network communication controller. High integrated network controller with optimized system architecture for communication and maximum data transfer.
PROFIBUS	Process field bus: universal networking standard defined in IEC61158/IEC 61784
PROFIBUS DP	PROFIBUS Decentralized Peripherals
PROFIBUS DP Master	Device that initiates the data transfer on the bus and which is an active network node, that is authorized and able to send data without external request
PROFIBUS DP Slave	Peripheral device, such as a IO device or a drive respectively passive participant without bus access authorization, which may only acknowledge received messages or requested by a master, may transmit messages to this one
Slave	Type of device that is configured by the Master and which then performs the communication

Contacts

HEADQUARTER

Germany

Hilscher Gesellschaft für
Systemautomation mbH
Rheinstraße 15
65795 Hattersheim
Phone: +49 (0) 6190 9907-0
Fax: +49 (0) 6190 9907-50
E-mail: info@hilscher.com

Support

Phone: +49 (0) 6190 9907-990
E-mail: hotline@hilscher.com

SUBSIDIARIES

China

Hilscher Systemautomation (Shanghai) Co. Ltd.
200010 Shanghai
Phone: +86 (0) 21-6355-5161
E-mail: info@hilscher.cn

Support

Phone: +86 (0) 21-6355-5161
E-mail: cn.support@hilscher.com

France

Hilscher France S.a.r.l.
69800 Saint Priest
Phone: +33 (0) 4 72 37 98 40
E-mail: info@hilscher.fr

Support

Phone: +33 (0) 4 72 37 98 40
E-mail: fr.support@hilscher.com

India

Hilscher India Pvt. Ltd.
Pune, Delhi, Mumbai
Phone: +91 8888 750 777
E-mail: info@hilscher.in

Support

Phone: +91 8108884011
E-mail: info@hilscher.in

Italy

Hilscher Italia S.r.l.
20090 Vimodrone (MI)
Phone: +39 02 25007068
E-mail: info@hilscher.it

Support

Phone: +39 02 25007068
E-mail: it.support@hilscher.com

Japan

Hilscher Japan KK
Tokyo, 160-0022
Phone: +81 (0) 3-5362-0521
E-mail: info@hilscher.jp

Support

Phone: +81 (0) 3-5362-0521
E-mail: jp.support@hilscher.com

Republic of Korea

Hilscher Korea Inc.
13494, Seongnam, Gyeonggi
Phone: +82 (0) 31-739-8361
E-mail: info@hilscher.kr

Support

Phone: +82 (0) 31-739-8363
E-mail: kr.support@hilscher.com

Austria

Hilscher Austria GmbH
4020 Linz
Phone: +43 732 931 675-0
E-mail: skuljici@hilscher.com

Support

Phone: +43 732 931 675-0
E-mail: skuljici@hilscher.com

Switzerland

Hilscher Swiss GmbH
4500 Solothurn
Phone: +41 (0) 32 623 6633
E-mail: info@hilscher.ch

Support

Phone: +41 (0) 32 623 6633
E-mail: support.swiss@hilscher.com

USA

Hilscher North America, Inc.
Lisle, IL 60532
Phone: +1 630-505-5301
E-mail: info@hilscher.us

Support

Phone: +1 630-505-5301
E-mail: us.support@hilscher.com